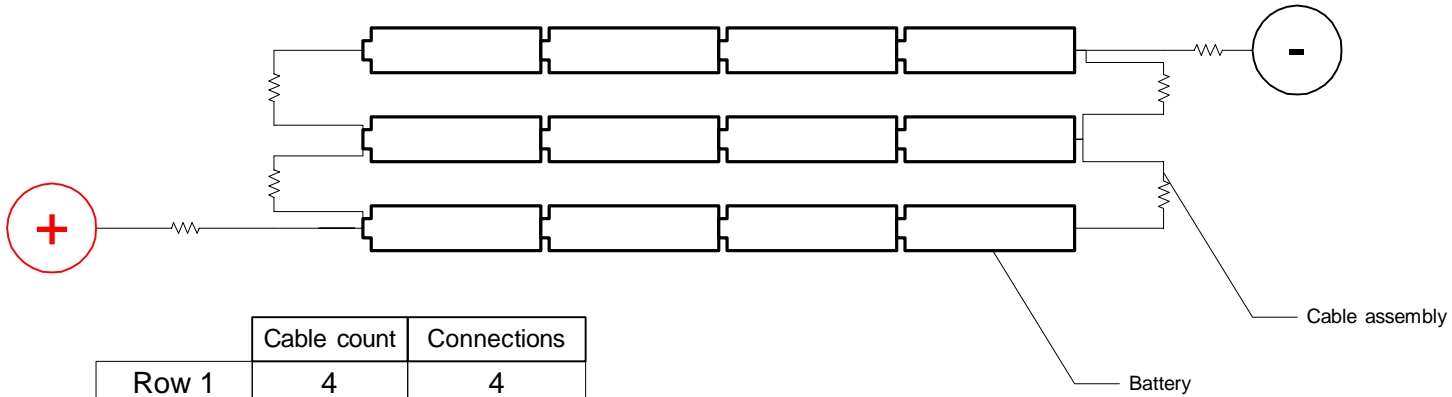
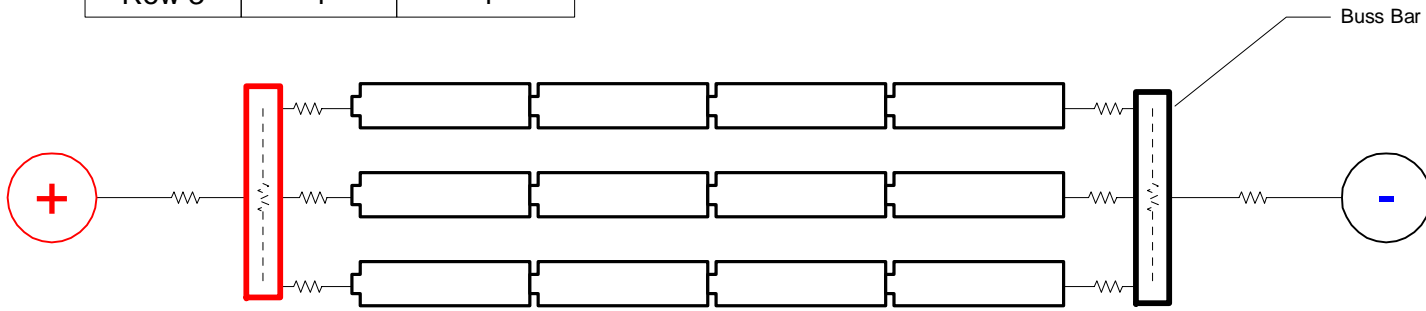


Conventional Cabling



	Cable count	Connections
Row 1	4	4
Row 2	4	4
Row 3	4	4

Buss Bars



	Cable count	Connections
Row 1	6	6
Row 2	6	6
Row 3	6	6

Notes:
 1. Drawing explores two battery wiring options. Cables and buss bars are represented by thin resistor symbols. Top depicts using cable assemblies. Bottom depicts buss bar approach.
 2. Each cable and connection point in the array is tallied for each battery string, counted from positive source to the negative destination. Bus bars are counted as a cable as they have a resistance value.

<h1>Miller Solar</h1>		17395 Oak Rd. Atascadero, CA 93422 805-438-5600 Fax 438-4607	
License: 773985			
Client	Client		
Street	Street		
City, State Zip	City, State Zip		
Drawn by		Title	Battery cable options
Date	12/4/09	Sub-Title	Battery wiring options
Revised	12/4/09	File	BATTERY cable options.vsd
		Page:	1 of 1